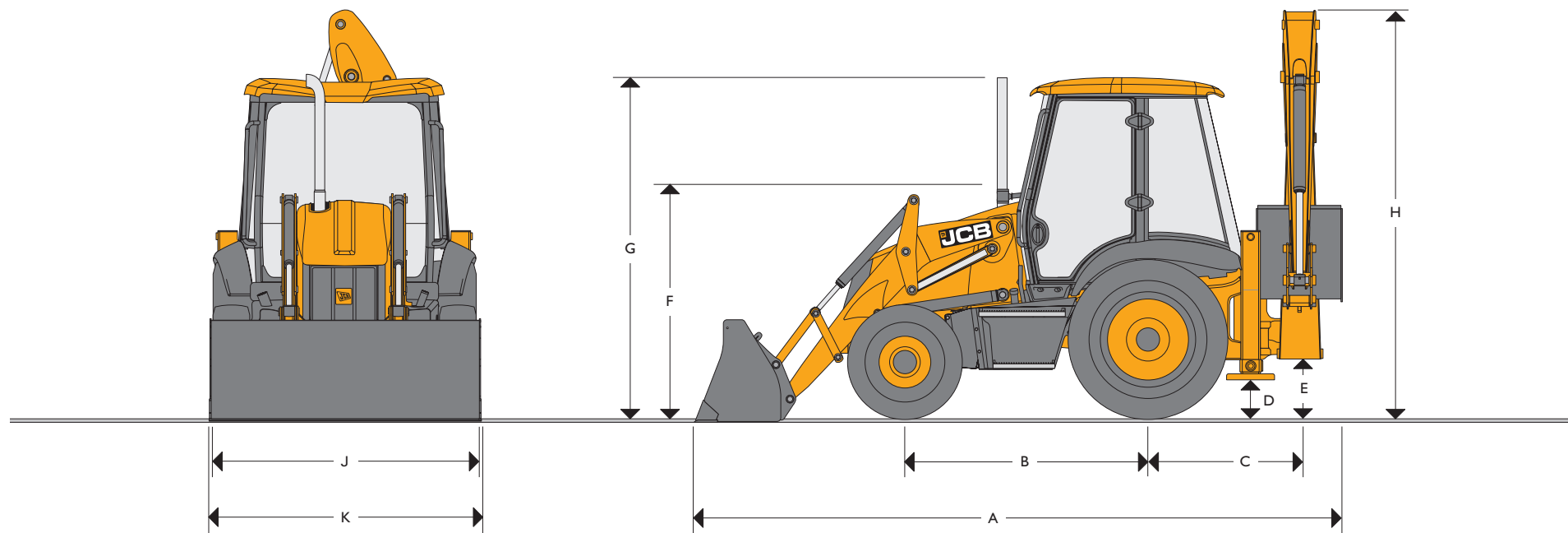


	MAX. ENGINE POWER	MAX. BACKHOE DIG DEPTH	MAX. LOADER CAPACITY
3CX ECO / 3CX SITEMASTER	63kW (85hp)	4.75 metres (15ft 7in)	1.0m ³ (1.32yd ³)
3CX ECO SITEMASTER	68.6kW (92hp)	5.97 metres (19ft 7in)	1.2m ³ (1.56yd ³)
3CX ECO CONTRACTOR	74.2kW (100hp)	5.97 metres (19ft 7in)	1.2m ³ (1.56yd ³)



STATIC DIMENSIONS

JCB Backhoe Loaders feature heavy duty one piece mainframe, componentised driveline and fully enclosed engine compartment. All fluid and component compartments are lockable using the ignition key.

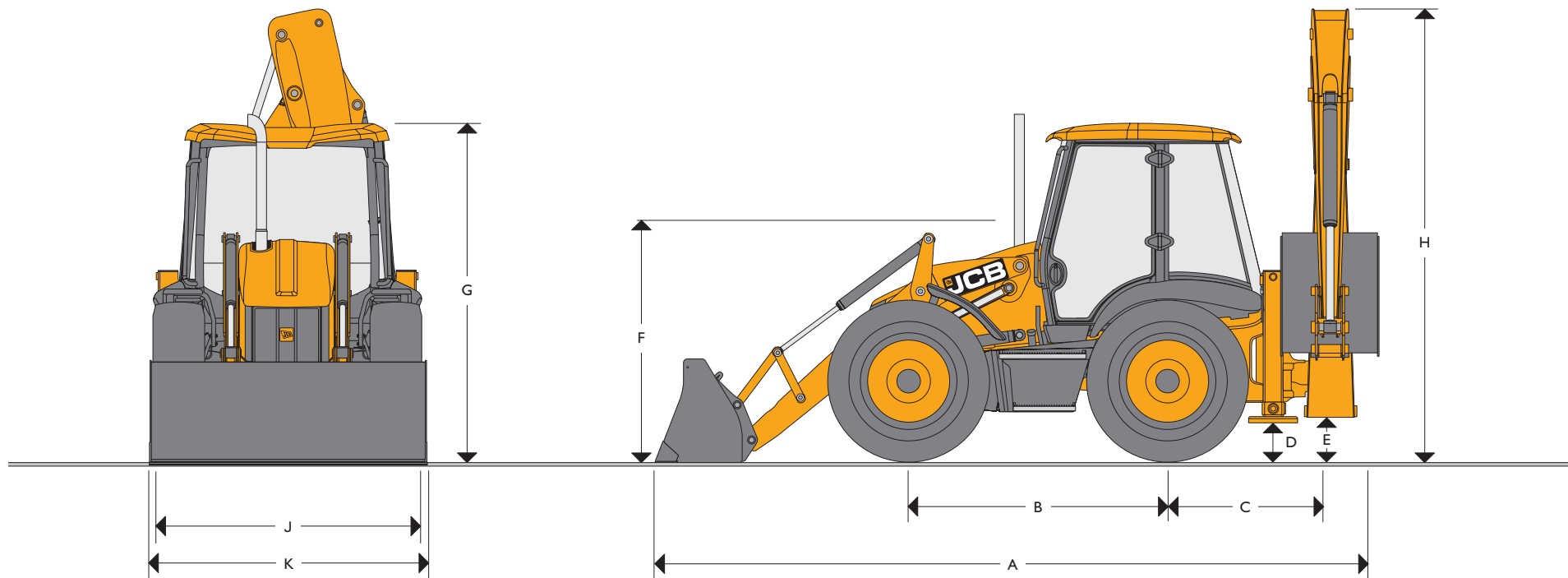
Machine model	3CX Eco	3CX Eco Sitemaster	3CX Eco Contractor
	m (ft-in)	m (ft-in)	m (ft-in)
A Total travel length	5.62 (18-5)	5.62 (18-5)	5.62 (18-5)
B Axle centreline distance	2.17 (7-1)	2.17 (7-1)	2.17 (7-1)
C Slew centre to rear axle centre distance	1.36 (4-6)	1.36 (4-6)	1.36 (4-6)
D Stabiliser feet clearance	0.37 (1-2)	0.37 (1-2)	0.37 (1-2)
E Kingpost clearance	0.52 (1-8)	0.52 (1-8)	0.52 (1-8)
F Steering wheel centre height	1.94 (6-4)	1.94 (6-4)	1.94 (6-4)
G Cab roof height	3.03 (9-9)	3.03 (9-9)	3.03 (9-9)

Machine model	3CX Eco	3CX Eco Sitemaster	3CX Eco Contractor
	m (ft-in)	m (ft-in)	m (ft-in)
H Total travel clearance	3.61 (11-10)	3.61 (11-10)	3.61 (11-10)
J Rear frame width	2.35 (7-8) 2.24 (7-4)*	2.35 (7-8) 2.24 (7-4)*	2.35 (7-8) 2.23 (7-4)*
K Shovel width	2.35 (7-8) 2.23 (7-4)*	2.35 (7-8) 2.23 (7-4)*	2.35 (7-8) 2.23 (7-4)*

* Narrow option



	MAX. ENGINE POWER	MAX. BACKHOE DIG DEPTH	MAX. LOADER CAPACITY
3CX ECO SUPER	68.6kW (92hp)	4.72 metres (15ft 6in)	1.2m ³ (1.56yd ³)
3CX ECO SUPER SITEMASTER	68.6kW (92hp)	5.93 metres (19ft 5in)	1.2m ³ (1.56yd ³)



STATIC DIMENSIONS

JCB Backhoe Loaders feature heavy duty one piece mainframe, componentised driveline and fully enclosed engine compartment. All fluid and component compartments are lockable using the ignition key.

Machine model	3CX Eco Super	3CX Eco Super Sitemaster	Machine model	3CX Eco Super	3CX Eco Super Sitemaster
	m (ft-in)	m (ft-in)		m (ft-in)	m (ft-in)
A Total travel length	5.91 (19-5)	5.91 (19-5)	F Steering wheel centre height	1.86 (6-1)	1.86 (6-1)
B Axle centreline distance	2.22 (7-3)	2.22 (7-3)	G Cab roof height	2.98 (9-7)	2.98 (9-7)
C Slew centre to rear axle centre distance	1.36 (4-6)	1.36 (4-6)	H Total travel height	3.48 (11-5)	3.56 (11-10)
D Stabiliser feet clearance	0.33 (1-1)	0.33 (1-1)	J Rear frame width	2.24 (7-4)	2.24 (7-4)
E Kingpost clearance	0.48 (1-7)	0.48 (1-7)	K Shovel width	2.23 (7-4)	2.23 (7-4)

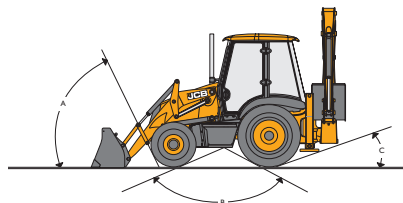
GROUND LINE ANGLES

3CX Super, 3CX Super Sitemaster

- A Approach angle 74°
- B Interference angle/ramp to ground plane 118°
- C Departure angle 19°

3CX, 3CX Contractor, 3CX Sitemaster

- A Approach angle 66°
- B Interference angle/ramp to ground plane 120°
- C Departure angle 20°



OPERATING WEIGHTS

Operating weight to ISO 6016 includes machine with 6 in 1 shovel, 610mm excavator bucket, full fuel tank and operator.

Machine model	3CX	3CX Sitemaster	3CX Contractor	3CX Super	3CX Super Sitemaster
	kg (lb)	kg (lb)	kg (lb)	kg (lb)	kg (lb)
Standard dipper	7751 (17052)	–	–	8051 (17712)	–
Extending dipper	8136 (17899)	8136 (17899)	8136 (17899)	8436 (18559)	8436 (18559)

ENGINE SUPPORT SYSTEM

Engine support system is designed for ease of daily checks, routine maintenance and longer service intervals.

Fuel type	Diesel.
Fuel filter	Replaceable cartridge plus water/sediment separator prefilter.
Air cleaner	Dual, dry element type with self cleaning internal air intake pre-cleaner.
Oil filter and lubrication	Full flow, spin-on type filter.
Cooling system	Hot climate specification, pressurised 14.5 psi (1.0 bar) suction fan. Pressurised recovery tank with integral filler neck.

ENGINE (Stage II Emissions)

Direct injection diesel, belt driven water pump, cold start aid – territory dependent.

Machine models	3CX 3CX Sitemaster	3CX, 3CX Sitemaster, 3CX Super, 3CX Super Sitemaster	3CX Contractor
Manufacturer	JCB	JCB	JCB
Aspiration	Naturally aspirated	Turbocharged	Turbocharged
Displacement	4.4 Ltr	4.4 Ltr	4.4 Ltr
No. of cylinders	4	4	4
Bore	mm 103	103	103
Stroke	mm 132	132	132
Rated engine RPM	2200	2200	2200
Power ratings			
Rated ISO 14396 (SAE J1995 Gross) kW (HP)	63 (85)	68.6 (92)	74.2 (100)
Maximum torque			
Rated ISO 14396 (SAE J1995 Gross) Nm (lbf ft)	320 (236)	400 (295)	425 (313.5)
Max. torque RPM	1200	1200	1300

ENGINE (Stage IIIa Emissions)

Direct injection diesel, belt driven water pump, cold start aid – territory dependent.

Machine models	3CX 3CX Sitemaster	3CX, 3CX Sitemaster, 3CX Super, 3CX Super Sitemaster	3CX Contractor
Manufacturer	JCB	JCB	JCB
Aspiration	Turbocharged	Turbocharged	Turbocharged & Intercooled
Displacement	4.4 Ltr	4.4 Ltr	4.4 Ltr
No. of cylinders	4	4	4
Bore	mm 103	103	103
Stroke	mm 132	132	132
Rated engine RPM	2200	2200	2200
Power ratings			
Rated ISO 14396 (SAE J1995 Gross) kW (HP)	63 (85)	68.6 (92)	74.2 (100)
Maximum torque			
Rated ISO 14396 (SAE J1995 Gross) Nm (lbf ft)	362 (267)	408 (301)	440 (324.5)
Max. torque RPM	1200	1200	1300

ELECTRICAL AND INSTRUMENTATION

12 volt negative ground, utilising wiring and connectors meeting IP69 water ingress test standard. Central fuse panel.

Gauges	Tachometer, engine coolant temp, fuel level, hourmeter, clock.
Warning system	Audible and visual system for engine oil, water in fuel, transmission oil temperature and pressure, park brake, air cleaner, alternator.
Battery	900 CCA/110 A/hr.
Pre-wire	Radio speakers (cab), beacon (all).
Horn	Controlled from both front and rear.
Alternator	95 amp standard.
Front working lights	4 adjustable.
Rear working lights	4 adjustable.



TRANSMISSION

The JCB Transmissions are designed and built specifically for JCB Backhoe Loaders. They feature synchronised shifting in all gears. Powershuttle between forward and reverse. Ground speeds are designed to maximise productivity. Optional JCB 6-speed autoshift transmission features automatic upshift and downshift between 4th, 5th and 6th gear controlled by machine travel speed and incorporates a kickdown pedal to select first gear. The operator may use the Autoshift in manual mode when operator control of shift points is desired. The JCB Powershift transmission allows fast gear changing without losing speed or momentum on gradients. The integral torque converter and electrically operated reversing shuttle help this backhoe loader produce fast cycle times for real wheeled loader performance. Low 1st and 2nd gear ratios provide excellent tractive effort for loading and sitestripping. JCB transmissions feature a (SAHR) clutch park brake, hydraulic release, spring engaged.

Machine model	3CX Super, 3CX Super Sitemaster		3CX, 3CX Sitemaster, 3CX Contractor		3CX Contractor
Manufacturer	JCB	JCB	JCB	JCB	
JCB					
Type	Syncroshuttle	Powershift	Syncroshuttle	Powershift	Autoshift
Torque converter	305mm (12")	305mm (12")	305mm (12")	305mm (12")	305mm (12")
Torque converter ratio	2.54:1	2.54:1	2.54:1	2.54:1	2.54:1
Torque Lock	N/A	Option	N/A	Option	Option
Gears forward/reverse	4/4	4/4	4/4	4/4	6/4
Gear selection	Manual	Powershift	Manual	Powershift	Powershift
Shuttle control – F/R	Power shuttle	Power shuttle	Power shuttle	Power shuttle	Power shuttle
Travel speeds	kph (mph)	kph (mph)	kph (mph)	kph (mph)	kph (mph)
Tyres equipped	16.9x24 Goodyear Sure Grip		F: 12.5x18 R: 18.4x26 T219 JCB SM		F: 12.5x18 R: 18.4x26 T219 JCB SM
					T219 JCB SM
Gear 1	5.1 (3.2)	4.9 (3.0)	5.8 (3.6)	5.4 (3.4)	5.1 (3.2)
Gear 2	8.3 (5.2)	8.6 (5.3)	9.4 (5.8)	10.0 (6.2)	8.6 (5.3)
Gear 3	17.7 (11.0)	19.8 (12.3)	20.2 (12.6)	22.5 (14.0)	11.6 (7.2)
Gear 4	36.7 (22.8)	36.7 (22.8)	41.8 (26.0)	41.8 (26.0)	18.7 (11.6)
Gear 5	–	–	–	–	31.1 (19.3)
Gear 6	–	–	–	–	41.8 (26.0)

* Based on 100% efficiency at 2200rpm.

FRONT AXLE

JCB front axles are designed and built specifically for backhoe loaders and accept a wide variety of tyre combinations.

Machine model	3CX 2WD	3CX 4WD, 3CX Contractor, 3CX Sitemaster	3CX Super, 3CX Super Sitemaster
Type	Flame cut bar	JCB steer drive with torque proportional	JCB 4WD steer drive with torque proportional
Axle ratings	kg (lb)	kg (lb)	kg (lb)
Static load rating	16500 (36376)	16500 (36376)	25000 (55116)
Dynamic load rating	8300 (18298)	8300 (18298)	12500 (27558)
Oscillation angle	16°	16°	16°
Steering ram	Powered track rod	Powered track rod	Powered track rod

REAR AXLE

JCB rear axles are designed and built specifically for backhoe loaders and accept a wide variety of tyre combinations.

Machine model	3CX, 3CX Contractor, 3CX Sitemaster	3CX Super, 3CX Super Sitemaster
Type	JCB epicyclic hub reduction with torque proportional	JCB 4WD steer drive with torque proportional
Limited Slip	Option	Option
Axle ratings	kg (lb)	kg (lb)
Static load rating	25000 (55116)	25000 (55116)
Dynamic load rating	12500 (27558)	12500 (27558)
Steering ram	Powered track rod	Powered track rod

STEERING

Full power hydrostatic system utilising the main hydraulic pump via a steering priority valve. In the event of engine failure, emergency steering is maintained.

Machine model	3CX, 3CX Sitemaster, 3CX Contractor	3CX Super, 3CX Super Sitemaster
Axles	Steer drive	Steer drive
Steering turns – lock to lock	2¾	2¾
	m (ft-in)	m (ft-in)
Kerb – kerb turning circle – unbraked	8.1 (26-7)	9.35 (30-8)
Loader clearance circle – unbraked	10.4 (34-1)	11.15 (36-7)
Kerb – kerb turning circle – braked	6.9 (22-8)	8.0 (26-3)
Loader clearance circle – braked	9.5 (31-2)	9.5 (31-2)

(Depending on tyre size, ground conditions etc.)

TYRES

	3CX, Sitemaster	Contractor	Super, Super Sitemaster
Front	12.5 x 18 x 10 Traction or Industrial	16 x 20, 10PR Traction or Industrial	14.9/14 x 24, 12PR Industrial
	400/70 R18 Traction or Industrial	400/70 R20 Traction or Industrial	16.9/14 x 24, 12PR Industrial
	340/80 R18 Traction	12.5 x 20 x 10 Industrial	460/70 x 24, Radial Traction
Rear	16.9 x 28, 12PR Traction or Industrial	18.4 x 26, 12PR Traction or Industrial	14.9/14 x 24, 12PR Industrial
	18.4 x 26, 12PR Traction or Industrial	19.5L – R28 Traction	16.9/14 x 24, 12PR Industrial
	440/80 R28, Traction	500/70 R28 Traction	460/70 x 24, Radial Traction
	480/80 x R26, Radial Industrial		

HYDRAULIC SYSTEM

Pump flows*	3CX, 3CX Sitemaster	3CX, 3CX Super, 3CX Sitemaster, 3CX Super Sitemaster 3CX Contractor	3CX Contractor**
Open centre systems (Gear pumps) @ 1750 rpm	l/min	l/min	l/min
Manual Control (Gear pump)			
Pump 1	58	63	65
Pump 2 & 3	71	81	89
EasyControl			
Pump 1	–	63	65
Pump 2 & 3	–	81	89
Closed centre systems (Piston pump) @ 2200 rpm	l/min	l/min	l/min
Advanced EasyControl	–	165 (32.3)	165 (32.3)
	bar (lbf/sq in)	bar (lbf/sq in)	bar (lbf/sq in)
System relief pressure	251 (3650)	251 (3650)	251 (3650)

*Optimum flow **Territory specific

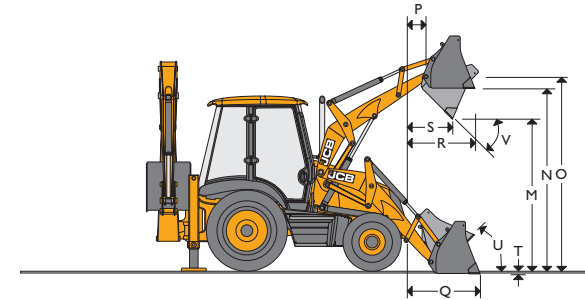
SERVICE CAPACITIES

Machine model	All models
	ltr (gal)
Cooling system	18.5 (4.1)
Fuel tank	160 (35.2)
Engine oil with filter	15 (3.3)
Gearbox with filter	16 (3.5)
Rear axle	16 (3.5)
Front drive axle	16 (3.5)
Hydraulic system incl. tank	132 (29)

OPTIONAL ACCESSORIES

Key/keypad immobiliser, Sitemaster, Michelin or Goodyear Brands of tyres with a selection of traction/industrial tread in a crossply/radial construction, Powershift/Autoshift transmissions, JCB TorqueLock, JCB Powerslide, Standard excavator buckets (300mm to 900mm), Deep profile excavator buckets (300mm to 940mm), Ditching buckets, General purpose/6-in-1 front shovels, Manual/hydraulic front quickhitch, Manual/hydraulic rear quickhitch, 3/8" loader arm pipework/5/8" loader arm pipework, Hammer/bi-directional pipework, Hand held tool circuit, 9m hose reel, Excavator lifting kits for EN474 and non-EN474 territories, Loader/excavator HBCV's, Electric refuelling pump, Heated front screen, Reverse alarm, Coffee machine, Grid heaters, Eberspacher cold start kits, Front bumper protection, Fire extinguisher, Fuel tank guards, Air suspension seat, Seat headrest, Biodegradable oil, Black/yellow trim kits, Instrument panel vandal guard, Different size front counterweights, Stabiliser streetpads, Shovel streetpads, Rear light guards, Lubricity filter, Shovel clam ram guards, Dual pattern controls (ISO/SAE changeover), Extendable steer column, Air conditioning.

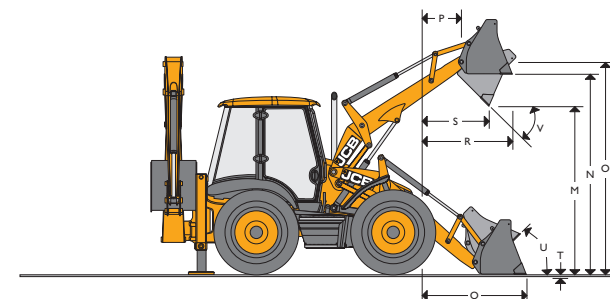
LOADER DIMENSIONS – 3CX, 3CX Contractor, 3CX Sitemaster



LOADER DIMENSIONS – 3CX, 3CX Contractor, 3CX Sitemaster

	GP shovel	6-in-1 shovel
	m (ft-in)	m (ft-in)
M Dump height	2.74 (9-0)	2.72 (8-11)
N Load over height	3.23 (10-7)	3.20 (10-6)
O Loader hinge pin height	3.45 (11-4)	3.45 (11-4)
P Pin forward reach	0.36 (1-2)	0.36 (1-2)
Q Reach at ground (toe plate horizontal)	1.42 (4-8)	1.37 (4-6)
R Max. reach at full height	1.20 (3-11)	1.15 (3-9)
S Reach at full height fully dumped	0.83 (2-9)	0.78 (2-7)
T Dig depth	0.07 (0-3)	0.10 (0-4)
U Roll back at ground	45°	45°
V Dump angle	43°	43°
Jaw opening width	–	0.95 (3-1)

LOADER DIMENSIONS – 3CX Super, 3CX Super Sitemaster



LOADER DIMENSIONS – 3CX Super, 3CX Super Sitemaster

	GP shovel	6-in-1 shovel
	m (ft-in)	m (ft-in)
M Dump height	2.64 (8-8)	2.64 (8-8)
N Load over height	3.16 (10-4)	3.13 (10-3)
O Pin height	3.41 (11-2)	3.41 (11-2)
P Pin forward reach	0.47 (1-6)	0.47 (1-6)
Q Reach at ground (toe plate horizontal)	1.52 (5-0)	1.50 (4-11)
R Max. reach at full height	1.26 (4-2)	1.22 (4-0)
S Reach at full height fully dumped	0.88 (2-10)	0.82 (2-8)
T Dig depth	0.18 (0-7)	0.23 (0-9)
U Rollback at ground	45°	45°
V Dump angle	44°	44°
Jaw opening width	–	0.95 (3-1)

LOADER PERFORMANCE

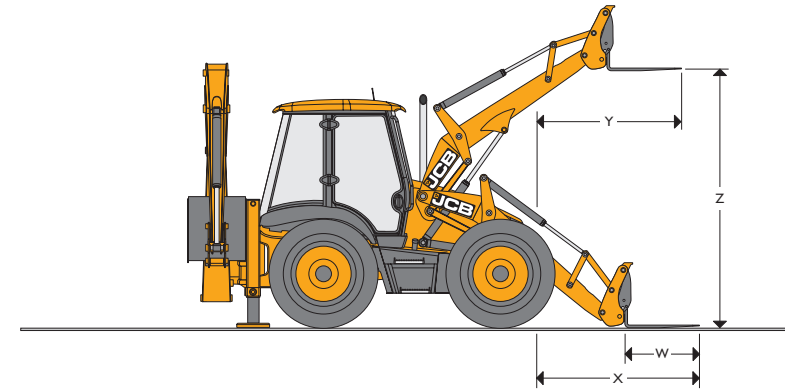
	3CX	3CX	3CX Super, 3CX Super Sitemaster
	kgf (lbf)	kgf (lbf)	kgf (lbf)
Shovel type	GP shovel	6 in 1	6 in 1
Loader breakout – shovel	6170 (13603)	6531 (14398)	6590 (14498)
Loader breakout – arms	4942 (10895)	4732 (10432)	5730 (12606)
Rated operating capacity 7'4"*	3479 (7670)	3229 (7119)	4378 (9631)
Rated operating capacity 7'8"*	3439 (7582)	3169 (6986)	–
Clamping force	–	2940 (6480)	2945 (6479)
	3CX Super	3CX Sitemaster, 3CX Contractor (Standard lift)	3CX Contractor (Heavy lift)
Shovel type	GP shovel	6 in 1	6 in 1
Loader breakout – shovel	6227 (13699)	6531 (14398)	6531 (14398)
Loader breakout – arms	5936 (13059)	4732 (10432)	6203 (13675)
Max. lift capacity 7'4"	4638 (10203)	3229 (7119)	4308 (9498)
Max. lift capacity 7'8"	–	3169 (6986)	4248 (9365)
Clamping force	–	2940 (6480)	2940 (6480)

*Rated operating capacity as determined according to ISO 14397 : 2007.

LOADER ATTACHMENTS – Direct Mount – All models

Loader buckets are listed according to size and application. All buckets are drilled to accept optional auxiliary cutting edge or teeth. Flat top box section provides rigidity and assists in bucket levelling.

Width mm (ft-in)	Capacity SAE	
	Rated m ³ (yd ³)	Struck m ³ (yd ³)
	GP shovel	
2235 (7-4)	1.0 (1.32)	0.83 (1.09)
2350 (7-8)	1.1 (1.44)	0.91 (1.19)
	6-in-1 shovel	
2235 (7-4)	1.0 (1.32)	0.76 (1.00)
2350 (7-8)	1.2 (1.56)	1.02 (1.33)

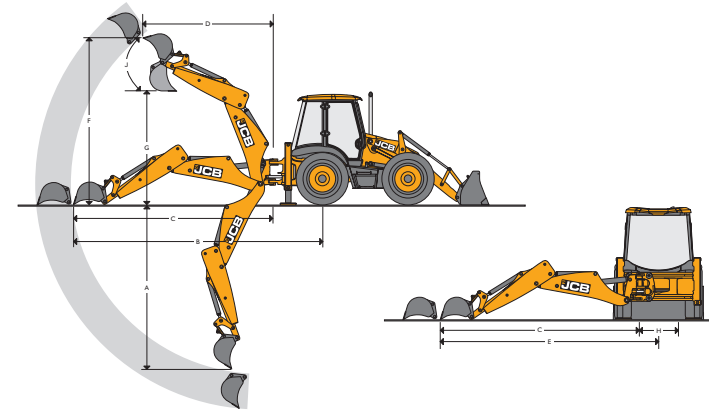
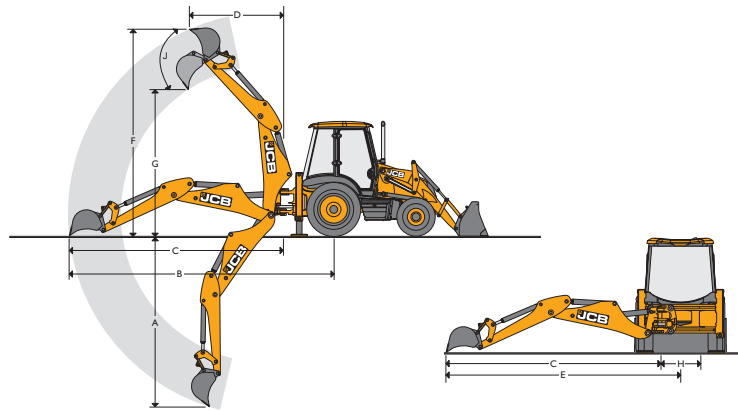
LOADER ATTACHMENTS

LOADER DIMENSIONS – Forklift Performance Data – 3CX, 3CX Contractor, 3CX Sitemaster

	6-in-1 shovel mounted forks	Quickhitch mounted forks
	m (ft-in)	m (ft-in)
W Forks – tine length	1.1 (3-7)	1.1 (3-7)
Forks – tine width	0.08 (0-3.1)	0.08 (0-3.1)
X Forks reach at ground level	2.66 (8-9)	2.03 (6-8)
Y Forks reach at full height	2.25 (7-5)	1.72 (5-8)
Z Forks lift height – max.	2.92 (9-7)	3.27 (10-9)
Fork spacing – min	0.2 (0-8)	0.2 (0-8)
Fork spacing – max	2.17 (7-3)	1.03 (3-4)
SWL @ 500mm load centres	kg (lb) 1000 (2205)	2000 (4410)

LOADER ATTACHMENTS – Forklift Performance and Data – 3CX Super, 3CX Super Sitemaster

	6-in-1 Shovel mounted forks	Quickhitch mounted forks
	m (ft-in)	m (ft-in)
W Fork length	1.1 (3-7)	1.1 (3-7)
Section width	0.08 (0-3½)	0.08 (0-3½)
X Reach at ground	2.78 (9-1)	2.18 (7-2)
Y Reach at full height	2.38 (7-10)	1.81 (5-11)
Z Fork lift height	2.85 (9-4)	3.23 (10-7)
Fork spacing – min	0.2 (0-8)	0.2 (0-8)
Fork spacing – max	2.17 (7-3)	1.03 (3-4)
SWL @ 500mm load centres	kg (lb) 1000 (2205)	2000 (4410)

Integrated Quickhitch and Forks are unique to JCB and speeds up attachment changeover times and increases productivity. Mechanical or hydraulic Quickhitch versions are available and with the shovel removed, the flip over forks maximise fork lift capacity to 2000kg and increases visibility to the load.



BACKHOE DIMENSIONS

Model		3CX	
		3CX Standard Dipper	3CX Sitemaster 3CX Contractor
		m (ft-in)	
A SAE max dig depth	Ext	–	5.46 (17-11)
	Ret	4.24 (13-11)	4.24 (13-11)
SAE 2ft flat bottom	Ext	–	5.43 (17-10)
	Ret	4.21 (13-10)	4.21 (13-10)
Maximum dig depth with deep profile bucket	Ext	–	5.97 (19-7)
	Ret	4.75 (15-7)	4.75 (15-7)
B Reach – ground level to rear wheel centre	Ext	–	7.87 (25-10)
	Ret	6.72 (22-1)	6.72 (22-1)
C Reach – ground level to slew centre	Ext	–	6.52 (21-5)
	Ret	5.37 (17-7)	5.37 (17-7)
D Reach – at full height to slew centre	Ext	–	3.66 (12-0)
	Ret	2.74 (9-0)	2.74 (9-0)
E Side reach – to centre line of machine	Ext	–	7.09 (23-3)
	Ret	5.94 (19-6)	5.94 (19-6)
F SAE operating height	Ext	–	6.35 (20-10)
	Ret	5.53 (18-2)	5.53 (18-2)
G Maximum loadover height	Ext	–	4.72 (15-6)
	Ret	3.84 (12-7)	3.84 (12-7)
SAE loadover height	Ext	–	4.32 (14-2)
	Ret	3.4 (11-3)	3.4 (11-3)
H Total kingpost travel		1.16 (3-10)	1.16 (3-10)
	Narrow rear frame option	1.05 (3-5)	1.05 (3-5)
J Bucket rotation	Speed	201°	201°

BACKHOE DIMENSIONS

Model		3CX Super	
		Standard dipper	3CX Super & 3CX Super Sitemaster
		m (ft-in)	
A SAE max dig depth	Ext	–	5.58 (18-4)
	Ret	4.37 (14-4)	4.37 (14-4)
SAE 2ft flat bottom	Ext	–	5.55 (18-3)
	Ret	4.34 (14-3)	4.34 (14-3)
Maximum dig depth with deep profile bucket	Ext	–	5.93 (19-5)
	Ret	4.72 (15-6)	4.72 (15-6)
B Reach – ground level to rear wheel centre	Ext	–	7.88 (25-10)
	Ret	6.74 (22-1)	6.74 (22-1)
C Reach – ground level to slew centre	Ext	–	6.54 (21-5)
	Ret	5.40 (17-9)	5.40 (17-9)
D Reach – at full height to slew centre	Ext	–	3.75 (12-4)
	Ret	2.82 (9-3)	2.82 (9-3)
E Side reach – to centre line of machine	Ext	–	7.09 (23-3)
	Ret	5.94 (19-6)	5.94 (19-6)
F SAE operating height	Ext	–	6.20 (20-4)
	Ret	5.39 (17-8)	5.39 (17-8)
G Maximum loadover height	Ext	–	4.67 (15-4)
	Ret	3.78 (12-5)	3.78 (12-5)
SAE loadover height	Ext	–	4.22 (13-10)
	Ret	3.33 (10-11)	3.33 (10-11)
H Total kingpost travel		1.05 (3-5)	1.05 (3-5)
J Bucket rotation	Speed	201°	201°



BACKHOE PERFORMANCE – 3CX, 3CX Sitemaster, 3CX Super, 3CX Super Sitemaster

		Standard Dipper	Extradig
		kgf (lbf)	kgf (lbf)
Bucket tearout	Speed	5431 (11948)	5385 (11847)
	Power	6324 (13912)	6228 (13701)
Dipper tearout	Ext	–	2255 (4961)
	Ret	3217 (7077)	3225 (7095)
Lift capacity of bucket pivot at full reach		kg (lb)	kg (lb)
	Ext	–	719 (1582)
	Ret	1584 (3485)	1451 (3192)

BACKHOE PERFORMANCE – 3CX Contractor

		kgf (lbf)
		Speed
Bucket tearout	Power	6228 (13701)
	Ext	2255 (4961)
Dipper tearout – standard lift excavator	Ret	3225 (7095)
	Ext	2729 (6004)
Dipper tearout – heavy lift excavator	Ret	3903 (8587)
	Ext	719 (1582)
Lift capacity of bucket pivot at full reach – heavy lift excavator	Ret	1451 (3192)
Lift capacity of bucket pivot at full reach – standard lift excavator		kg (lb)
	Ext	1082 (2380)
	Ret	1885 (4147)

BACKHOE ATTACHMENTS – Standard Profile Bucket

Width*	Capacity SAE		Weight (+ Teeth)	Teeth
	mm (in)	Rated m ³ (ft ³)		
229 (9)	0.04 (1½)	0.03 (1)	95 (209)	0
305 (12) [†]	0.06 (2½)	0.05 (1¾)	102 (225)	3
356 (14) [†]	0.075 (2½)	0.06 (2)	105 (231)	3
400 (16) [†]	0.09 (3)	0.07 (2½)	109 (240)	3
457 (18) [†]	0.12 (4¼)	0.09 (3)	116 (256)	3
610 (24) [†]	0.17 (6)	0.13 (4½)	140 (310)	4
800 (32) [†]	0.24 (8½)	0.17 (6)	162 (355)	5
950 (37) [†]	0.30 (10½)	0.21 (7¼)	198 (435)	5

* Including sidecutters. Width less sidecutters deduct 25mm (1 in).

† Available with additional wear strips to give added strength and rigidity.

BACKHOE ATTACHMENTS – Deep Profile Bucket

Width*	Capacity SAE		Weight (+ Teeth)	Teeth
	mm (in)	Rated m ³ (ft ³)		
305 (12)	0.09 (3)	0.07 (2½)	102 (225)	3
356 (14)	0.11 (4)	0.09 (3¼)	117 (257)	3
457 (18)	0.16 (5½)	0.13 (4½)	122 (269)	3
610 (24)	0.23 (8)	0.18 (6¼)	142 (314)	4
800 (32)	0.30 (10½)	0.24 (8½)	163 (359)	5
950 (37)	0.38 (1½) [†]	0.30 (10½)	183 (403)	5
1100 (43)	0.48 (¾) [†]	0.34 (12)	203 (448)	6

* Including sidecutters. Width less sidecutters deduct 25mm (1 in). † Capacity in cu.yd.

DITCHING BUCKETS

Width*	Capacity SAE		Weight
	mm (in)	Rated m ³ (ft ³)	
1525 (60)	0.22 (7¾)	0.155 (5½)	150 (330)
1830 (72)	0.26 (9)	0.186 (6½)	172 (379)

TAPERED BUCKETS

Width*	Capacity SAE		Angle degrees	Teeth
	mm (in)	Rated m ³ (ft ³)		
381–1676 (15–66)	0.07 (2½)	0.06 (2)	30	2
305–1067 (12–42)	0.12 (4½)	0.10 (3½)	60	2

